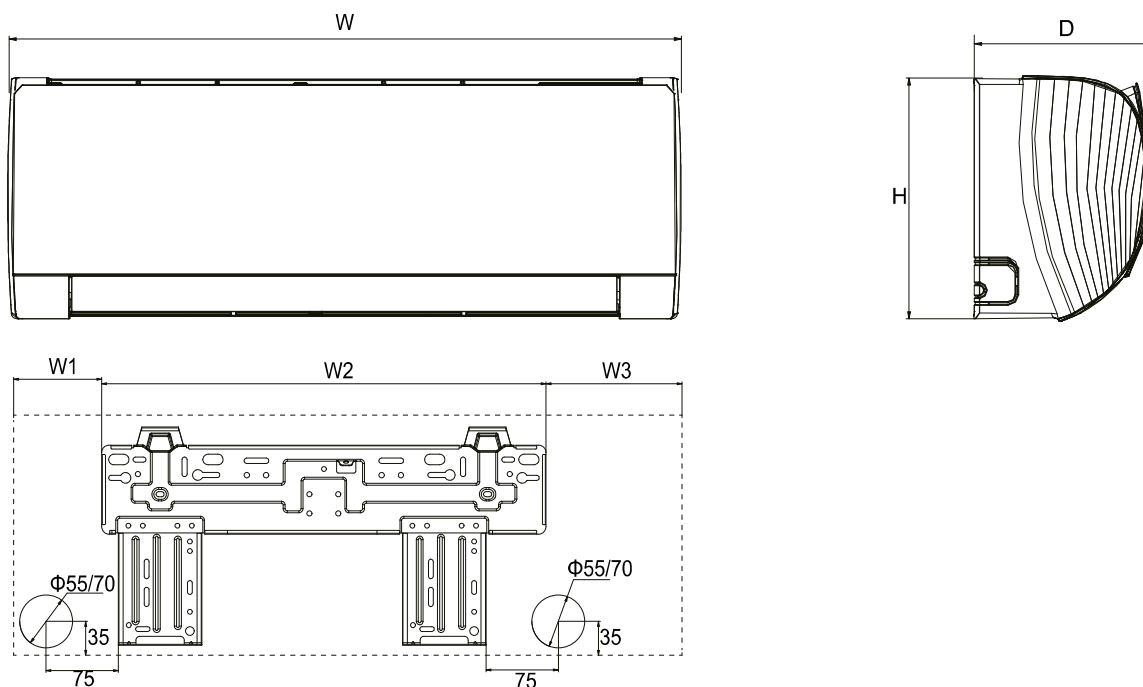


Outdoor Unit	Model of Outdoor Unit		GWH18ACE-S6DBA1A/O	GWH24YE-S6DBA2A/O
	Outdoor Unit Product Code		CB497W11000	CB466W00301
	Compressor Manufacturer/Trademark		ZHUHAI LANDA COMPRESSOR CO., LTD	ZHUHAI LANDA COMPRESSOR CO., LTD
	Compressor Model		QXFT-D20zF030	QXFT-D20zF030
	Compressor Oil		FW68DA	FW68DA
	Compressor Type		Rotary	Rotary
	L.R.A.	A	30	30
	Compressor RLA	A	10.5	16
	Compressor Power Input	W	2260	2050
	Overload Protector		/	/
	Throttling Method		Electron expansion valve	Electron expansion valve
	Operation Temp	°C	16~30	16~30
	Ambient Temp (Cooling)	°C	-18~52	-18~52
	Ambient Temp (Heating)	°C	-30~24	-30~24
	Condenser Form		Aluminum Fin-copper Tube	Aluminum Fin-copper Tube
	Pipe Diameter	mm	φ7	φ7
	Rows-fin Gap	mm	2-1.4	3-1.5
	Coil Length (LXDXW)	mm	945X38.1X748	994X57.1X748
	Fan Motor Speed	rpm	820	820
	Output of Fan Motor	W	90	90
	Fan Motor RLA	A	0.65	0.65
	Fan Motor Capacitor	μF	/	/
	Air Flow Volume of Outdoor Unit	m ³ /h	4000	4000
	Fan Type		Axial-flow	Axial-flow
	Fan Diameter	mm	φ550	φ550
	Defrosting Method		Automatic Defrosting	Automatic Defrosting
	Climate Type		T1	T1
	Isolation		I	I
	Moisture Protection		IPX4	IPX4
	Permissible Excessive Operating Pressure for the Discharge Side	MPa	4.3	4.3
	Permissible Excessive Operating Pressure for the Suction Side	MPa	2.5	2.5
	Sound Pressure Level (H/M/L)	dB (A)	56/-/-	58/-/-
	Sound Power Level (H/M/L)	dB (A)	63/-/-	69/-/-
Dimension (WXHXD)	mm	1000X790X427	1000X790X427	
Dimension of Carton Box (LXWXH)	mm	1080X485X840	1080X485X840	
Dimension of Package (LXWXH)	mm	1083X488X855	1083X488X855	
Net Weight	kg	61	65	
Gross Weight	kg	66	70	
Refrigerant		R32	R32	
Refrigerant Charge	kg	1.5	2	
Connection Pipe	Length	m	5	5
	Gas Additional Charge	g/m	40	40
	Outer Diameter Liquid Pipe		1/4	1/4
	Outer Diameter Gas Pipe		5/8	5/8
	Max Distance Height	m	20	30
	Max Distance Length	m	50	50
Note: The connection pipe applies metric diameter.				

The above data is subject to change without notice; please refer to the nameplate of the unit.

3. Outline Dimension Diagram

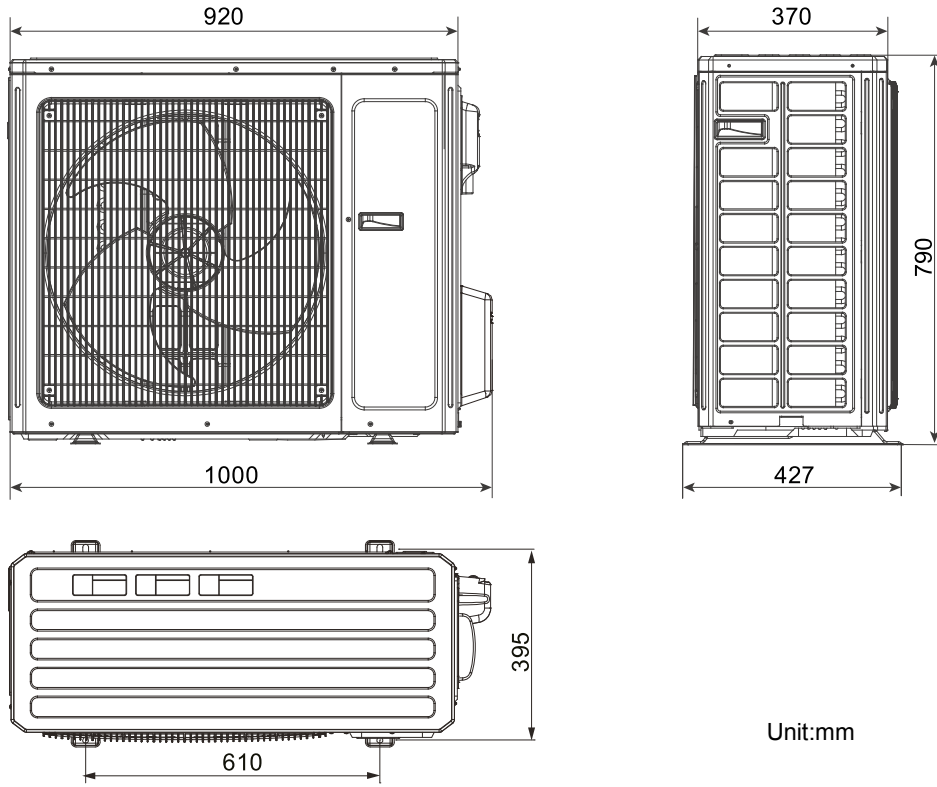
3.1 Indoor Unit



Unit:mm

Models	W	H	D	W1	W2	W3
ACC	889	294	212	201.5	541.5	146
ACE	1122	329	247	207	685	230

GWH18ACE-S6DBA1A/O



Unit:mm