

2. Specifications

Model			SOH24MU-E32DA1A2	
Product Code			CB348009101	
Power Supply	Rated Voltage	V~	220-240	
	Rated Frequency	Hz	50	
	Phases		1	
Power Supply Mode			Outdoor	
Cooling Capacity		W	7100	
Heating Capacity		W	7800	
Cooling Power Input		W	2030	
Heating Power Input		W	2000	
Cooling Current Input		A	9	
Heating Current Input		A	9.3	
Rated Input		W	3000	
Rated Cooling Current		A	13	
Rated Heating Current		A	13.5	
Air Flow Volume		m ³ /h	1250/1100/1000/950/900/850/800	
Dehumidifying Volume		L/h	2.40	
EER		W/W	3.50	
COP		W/W	3.90	
SEER		--	7	
SCOP (Warmer/Average/Colder)		--	5.4/4.2/3.4	
Application Area		m ²	27-42	
Indoor Unit	Model		SOH24MU-E32DA1A2/I	
	Product Code		CB348N09100	
	Fan Type		Cross-flow	
	Fan Diameter Length(DXL)		mm	108X830
	Cooling Speed		r/min	1250/1100/1000/950/900/850/800/600
	Heating Speed		r/min	1400/1250/1100/1050/1000/900/850
	Fan Motor Power Output		W	60
	Fan Motor RLA		A	0.24
	Fan Motor Capacitor		μF	/
	Evaporator Form			Aluminum Fin-copper Tube
	Evaporator Pipe Diameter		mm	Φ7
	Evaporator Row-fin Gap		mm	2-1.4
	Evaporator Coil Length (LXDXW)		mm	845X25.4X342.9
	Swing Motor Model			MP24HF/MP35CP
	Swing Motor Power Output		W	1.5/2.5
	Fuse Current		A	3.15
	Sound Pressure Level		dB (A)	Cooling:48/44/41/40/38/36/33 Heating:50/47/43/41/40/36/35
	Sound Power Level		dB (A)	Cooling:64/59/56/55/53/51/48 Heating:64/62/58/56/55/51/50
	Dimension (WXHXD)		mm	1135X328X247
	Dimension of Carton Box (LXWXH)		mm	1172X398X322
Dimension of Package (LXWXH)		mm	1177X406X332	
Net Weight		kg	16.5	
Gross Weight		kg	19.5	

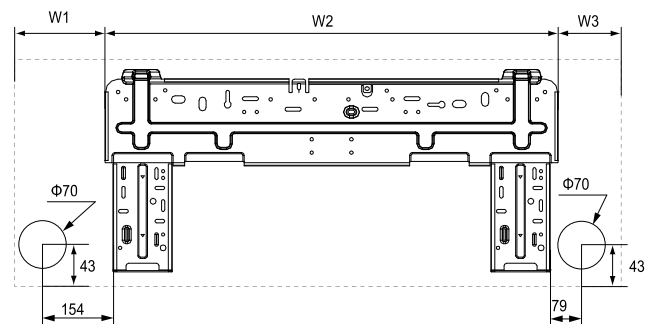
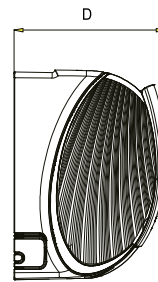
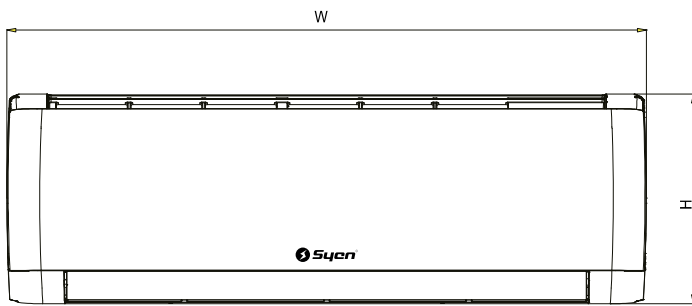
2. Specifications

Outdoor Unit	Outdoor Unit Model		SOH24MU-E32DA1A2/O(LCLH)	
	Outdoor Unit Product Code		CB363W04101	
	Compressor Manufacturer		ZHUHAI LANDA COMPRESSOR CO.,LTD	
	Compressor Model		QXFS-M180zX170	
	Compressor Oil		FW68DA or equivalent	
	Compressor Type		Twin Rotary	
	Compressor LRA.	A		35.00
	Compressor RLA	A		3.50
	Compressor Power Input	W		1610
	Compressor Overload Protector			KSD115°C HPC 115/95U1
	Throttling Method			Electron expansion valve
	Set Temperature Range	°C		16~30
	Cooling Operation Ambient Temperature Range	°C		-15~50
	Heating Operation Ambient Temperature Range	°C		-25~30
	Condenser Form			Aluminum Fin-copper Tube
	Condenser Pipe Diameter	mm		Φ7
	Condenser Rows-fin Gap	mm		2-1.4
	Condenser Coil Length (LXD _X W)	mm		839X38.1X616
	Fan Motor Speed	rpm		800
	Fan Motor Power Output	W		60
	Fan Motor RLA	A		0.65
	Fan Motor Capacitor	μF		/
	Heater Power Input	W		/
	Outdoor Unit Air Flow Volume	m ³ /h		3600
	Fan Type			Axial-flow
	Fan Diameter	mm		Φ520
	Defrosting Method			Automatic Defrosting
	Climate Type			T1
	Isolation			I
	Moisture Protection			IPX4
	Permissible Excessive Operating Pressure for the Discharge Side	MPa		4.3
	Permissible Excessive Operating Pressure for the Suction Side	MPa		2.5
	Sound Pressure Level (H/M/L)	dB (A)		59/-/-
Sound Power Level (H/M/L)	dB (A)		70/-/-	
Dimension(WXH _X D)	mm		958X660X402	
Dimension of Carton Box (LXWXH)	mm		1029X453X715	
Dimension of Package(LXWXH)	mm		1032X456X737	
Net Weight	kg		41.5	
Gross Weight	kg		46	
Refrigerant			R32	
Refrigerant Charge	kg		1.5	
Connection Pipe	Connection Pipe Length	m	5	
	Connection Pipe Gas Additional Charge	g/m	40	
	Outer Diameter Liquid Pipe	inch	1/4	
	Outer Diameter Gas Pipe	inch	5/8	
	Max Distance Height	m	10	
	Max Distance Length	m	25	
Note: The connection pipe applies metric diameter.				

The above data is subject to change without notice. Please refer to the nameplate of the unit.

3. Outline Dimension Diagram

3.1 Indoor Unit



Unit:mm

Model	W	H	D	W1	W2	W3
AFE	1135	328	247	215.5	685	234.5

3. Outline Dimension Diagram

3.2 Outdoor Unit

SOH24MU-E32DA1A2/O

