

2. Specifications

Model			SOH18MU-E32A1D2
Product Code			CB348009201
Power Supply	Rated Voltage	V~	220-240
	Rated Frequency	Hz	50
	Phases		1
Power Supply Mode			Outdoor
Cooling Capacity		W	5200
Heating Capacity		W	5600
Cooling Power Input		W	1576
Heating Power Input		W	1436
Cooling Current Input		A	7.1
Heating Current Input		A	6.3
Rated Input		W	2400
Rated Cooling Current		A	10.5
Rated Heating Current		A	11
Air Flow Volume		m ³ /h	850/750/680/610/570/520/460
Dehumidifying Volume		L/h	1.90
EER		W/W	3.299
COP		W/W	3.9
SEER		--	7.1
SCOP (Warmer/Average/Colder)		--	5.7/4.2/3.4
Application Area		m ²	23-34
Indoor Unit	Model		SOH18MU-E32A1D2/I
	Product Code		CB348N09200
	Fan Type		Cross-flow
	Fan Diameter Length(DXL)	mm	Φ106X706
	Cooling Speed	r/min	1230/1170/1100/1020/960/880/800/550
	Heating Speed	r/min	1400/1270/1200/1130/1050/980/900
	Fan Motor Power Output	W	45
	Fan Motor RLA	A	0.24
	Fan Motor Capacitor	μF	/
	Evaporator Form		Aluminum Fin-copper Tube
	Evaporator Pipe Diameter	mm	Φ7
	Evaporator Row-fin Gap	mm	2-1.4
	Evaporator Coil Length (LXD _X W)	mm	715X25.4X304.8
	Swing Motor Model		MP35CJ/MP24HF
	Swing Motor Power Output	W	2.5/1.5
	Fuse Current	A	3.15
	Sound Pressure Level	dB (A)	Cooling:44/43/41/38/36/34/30 Heating:48/45/42/40/38/36/33
	Sound Power Level	dB (A)	Cooling:60/56/54/51/49/47/43 Heating:60/58/55/53/51/49/46
	Dimension (WXHXD)	mm	1017X304X221
	Dimension of Carton Box (LXWXH)	mm	1055X366X287
	Dimension of Package (LXWXH)	mm	1060X374X297
Net Weight	kg	13.5	
Gross Weight	kg	16	

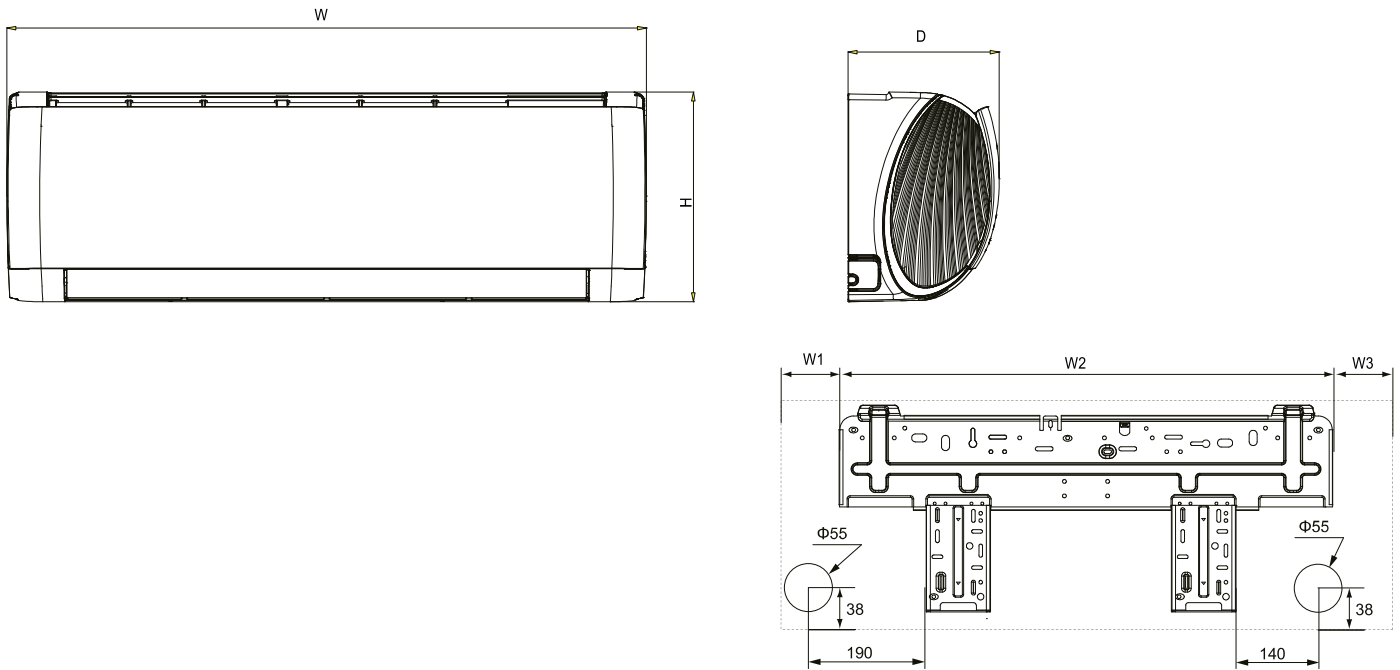
2. Specifications

Outdoor Unit	Outdoor Unit Model		SOH18MU-E32DA1D2/O(LCLH)	
	Outdoor Unit Product Code		CB363W04201	
	Compressor Manufacturer		ZHUHAI LANDA COMPRESSOR CO.,LTD	
	Compressor Model		QXF-A120zH170A	
	Compressor Oil		FW68DA or equivalent	
	Compressor Type		Rotary	
	Compressor LRA.	A		18.00
	Compressor RLA	A		5.00
	Compressor Power Input	W		1096
	Compressor Overload Protector			HPC115/95U1/KSD115°C
	Throttling Method			Electron expansion valve
	Set Temperature Range	°C		16~30
	Cooling Operation Ambient Temperature Range	°C		-15~50
	Heating Operation Ambient Temperature Range	°C		-25~30
	Condenser Form			Aluminum Fin-copper Tube
	Condenser Pipe Diameter	mm		Φ7
	Condenser Rows-fin Gap	mm		2-1.4
	Condenser Coil Length (LXDXW)	mm		895X38.1X528
	Fan Motor Speed	rpm		880
	Fan Motor Power Output	W		30
	Fan Motor RLA	A		0.40
	Fan Motor Capacitor	μF		/
	Heater Power Input	W		/
	Outdoor Unit Air Flow Volume	m ³ /h		2200
	Fan Type			Axial-flow
	Fan Diameter	mm		Φ420
	Defrosting Method			Automatic Defrosting
	Climate Type			T1
	Isolation			I
	Moisture Protection			IPX4
	Permissible Excessive Operating Pressure for the Discharge Side	MPa		4.3
	Permissible Excessive Operating Pressure for the Suction Side	MPa		2.5
	Sound Pressure Level (H/M/L)	dB (A)		56/-/-
	Sound Power Level (H/M/L)	dB (A)		65/-/-
Dimension(WXHXD)	mm		802X555X350	
Dimension of Carton Box (LXWXH)	mm		869X395X594	
Dimension of Package(LXWXH)	mm		872X398X620	
Net Weight	kg		30.5	
Gross Weight	kg		33	
Refrigerant			R32	
Refrigerant Charge	kg		0.82	
Connection Pipe	Connection Pipe Length	m	5	
	Connection Pipe Gas Additional Charge	g/m	16	
	Outer Diameter Liquid Pipe	inch	1/4	
	Outer Diameter Gas Pipe	inch	1/2	
	Max Distance Height	m	10	
	Max Distance Length	m	25	
	Note: The connection pipe applies metric diameter.			

The above data is subject to change without notice. Please refer to the nameplate of the unit.

3. Outline Dimension Diagram

3.1 Indoor Unit

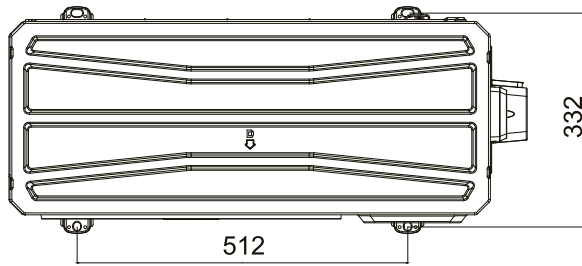
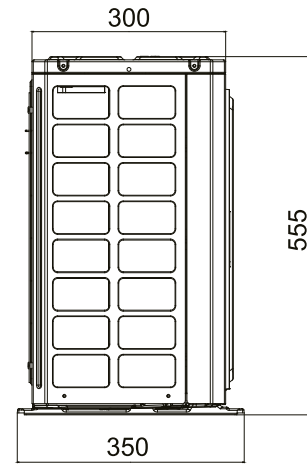
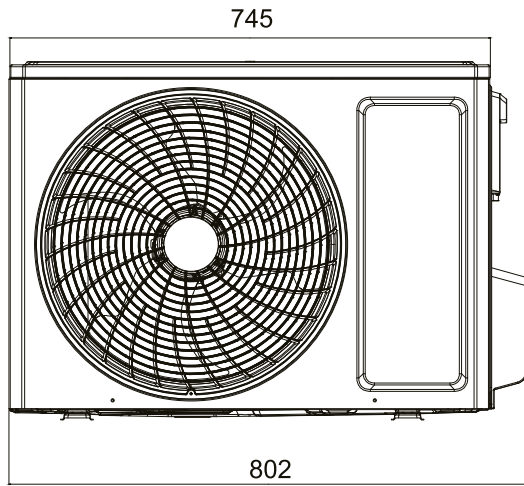


Unit:mm

Model	W	H	D	W1	W2	W3
SOH18MU	1017	304	221	127.5	685	204.5

3. Outline Dimension Diagram

SOH18MU-E32DA1D2/O



Unit:mm