

2. Specifications

2.1 Specification Sheet

Model			SOH09MU-E32DA1A2	
Product Code			CB348009001	
Power Supply	Rated Voltage	V~	220-240	
	Rated Frequency	Hz	50	
	Phases		1	
Power Supply Mode			Outdoor	
Cooling Capacity		W	2700	
Heating Capacity		W	3000	
Cooling Power Input		W	695	
Heating Power Input		W	700	
Cooling Current Input		A	3.1	
Heating Current Input		A	3.2	
Rated Input		W	1400	
Rated Cooling Current		A	6	
Rated Heating Current		A	6.2	
Air Flow Volume		m ³ /h	610/570/540/470/440/420/390	
Dehumidifying Volume		L/h	1.69	
EER		W/W	3.88	
COP		W/W	4.29	
SEER		--	7.5	
SCOP (Warmer/Average/Colder)		--	5.3/4.2/3.4	
Application Area		m ²	12-18	
Indoor Unit	Model		SOH09MU-E32DA1A2/I	
	Product Code		CB348N09000	
	Fan Type		Cross-flow	
	Fan Diameter Length(DXL)		mm	Φ98X633.5
	Cooling Speed		r/min	1200/1100/1050/950/900/850/800
	Heating Speed		r/min	1150/1100/1050/1000/950/900/850
	Fan Motor Power Output		W	20
	Fan Motor RLA		A	0.31
	Fan Motor Capacitor		μF	1.5
	Evaporator Form			Aluminum Fin-copper Tube
	Evaporator Pipe Diameter		mm	Φ5
	Evaporator Row-fin Gap		mm	2-1.4
	Evaporator Coil Length (LXDXW)		mm	635X22.8X306.3
	Swing Motor Model			MP24EB/MP24HF
	Swing Motor Power Output		W	1.5/1.5
	Fuse Current		A	3.15
	Sound Pressure Level		dB (A)	Cooling:38/36/34/31/29/27/25 Heating:38/37/35/34/32/29/28
	Sound Power Level		dB (A)	Cooling:54/48/46/43/41/39/37 Heating:56/49/47/46/44/41/40
	Dimension (WXHxD)		mm	894X291X211
	Dimension of Carton Box (LXWXH)		mm	943X349X278
Dimension of Package (LXWXH)		mm	948X365X289	
Net Weight		kg	11	
Gross Weight		kg	13	

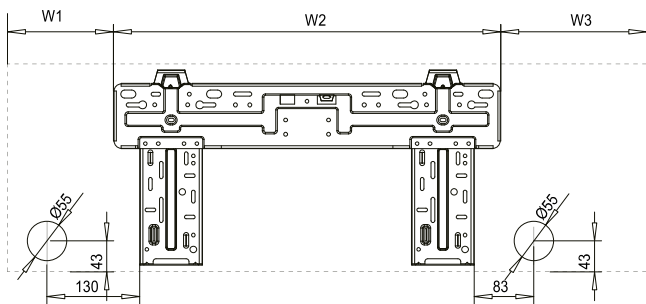
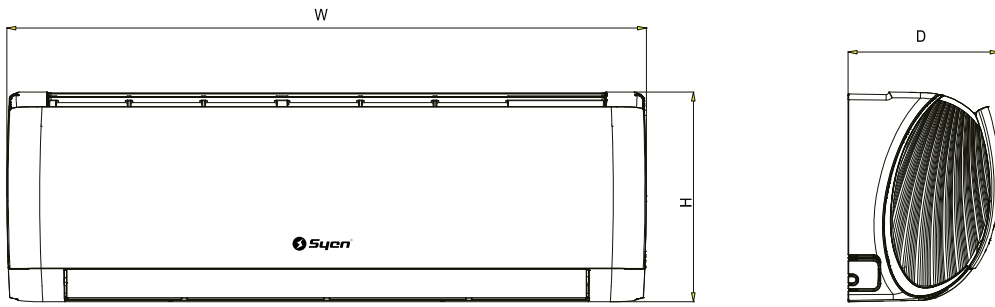
2. Specifications

Outdoor Unit	Outdoor Unit Model		SOH09MU-E32DA1A2/O(LCLH)	
	Outdoor Unit Product Code		CB363W02901	
	Compressor Manufacturer		ZHUHAI LANDA COMPRESSOR CO.,LTD	
	Compressor Model		QXF-A082zC170	
	Compressor Oil		ZE-G;ES RB68GX or equivalent	
	Compressor Type		Rotary	
	Compressor LRA.	A		15.00
	Compressor RLA	A		2.56
	Compressor Power Input	W		756.6
	Compressor Overload Protector			/
	Throttling Method			Capillary
	Set Temperature Range	°C		16~30
	Cooling Operation Ambient Temperature Range	°C		-15~50
	Heating Operation Ambient Temperature Range	°C		-25~30
	Condenser Form			Aluminum Fin-copper Tube
	Condenser Pipe Diameter	mm		Φ7
	Condenser Rows-fin Gap	mm		1-1.2
	Condenser Coil Length (LXDXW)	mm		666X19.05X527
	Fan Motor Speed	rpm		900
	Fan Motor Power Output	W		30
	Fan Motor RLA	A		0.40
	Fan Motor Capacitor	μF		/
	Heater Power Input	W		25
	Outdoor Unit Air Flow Volume	m ³ /h		1950
	Fan Type			Axial-flow
	Fan Diameter	mm		Φ400
	Defrosting Method			Automatic Defrosting
	Climate Type			T1
	Isolation			I
	Moisture Protection			IPX4
	Permissible Excessive Operating Pressure for the Discharge Side	MPa		4.3
	Permissible Excessive Operating Pressure for the Suction Side	MPa		2.5
	Sound Pressure Level (H/M/L)	dB (A)		50/-/-
	Sound Power Level (H/M/L)	dB (A)		61/-/-
Dimension(WXHXD)	mm		732X555X330	
Dimension of Carton Box (LXWXH)	mm		791X373X583	
Dimension of Package(LXWXH)	mm		794X376X615	
Net Weight	kg		23.5	
Gross Weight	kg		26	
Refrigerant			R32	
Refrigerant Charge	kg		0.53	
Connection Pipe	Connection Pipe Length	m	5	
	Connection Pipe Gas Additional Charge	g/m	16	
	Outer Diameter Liquid Pipe	inch	1/4	
	Outer Diameter Gas Pipe	inch	3/8	
	Max Distance Height	m	10	
	Max Distance Length	m	15	
	Note: The connection pipe applies metric diameter.			

The above data is subject to change without notice. Please refer to the nameplate of the unit.

3. Outline Dimension Diagram

3.1 Indoor Unit



Unit:mm

Model	W	H	D	W1	W2	W3
SOH09MU	894	291	211	148	542	204

3. Outline Dimension Diagram

3.2 Outdoor Unit

SOH09MU-E32DA1A2/O

